



# APX NEXT

PROTECT YOUR **FOCUS**



**MOTOROLA SOLUTIONS**

# SMARTCONNECT

Takes your voice beyond the boundaries of your radio system

SmartConnect automatically switches you to broadband as soon as your radio signal fades



STAY **SAFE,** AND STAY **CONNECTED**



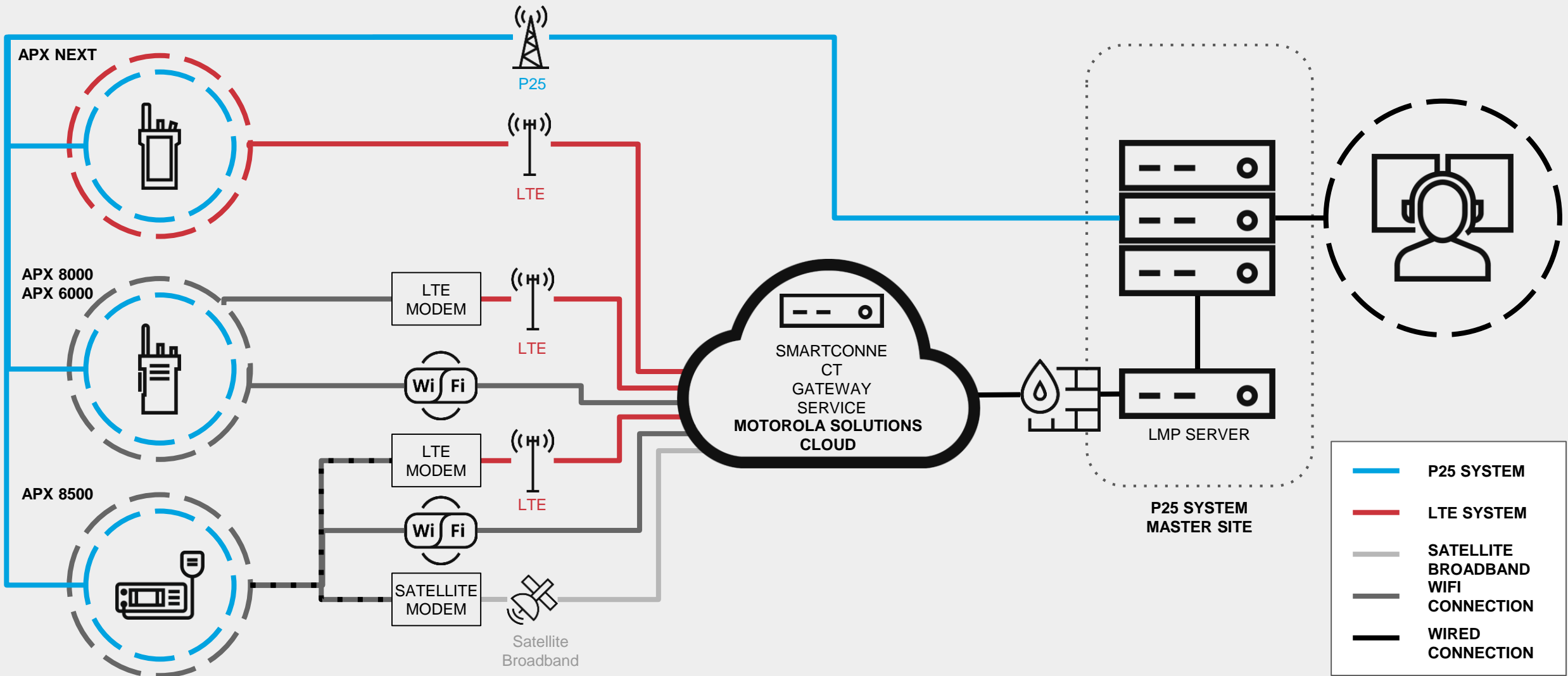


## SOLUTION DESCRIPTION

- Whenever the P25 signal drops below a pre-programmed RSSI threshold, the radio switches voice calls to the broadband network.
- P25 voice packets are tunneled over the broadband bearer to a cloud-based gateway.
- The gateway connects to the P25 master site to interface calls back into the P25 system.

**SEAMLESS CONNECTIVITY**  
**AUTOMATIC SWITCHING**  
**EFFORTLESS MANAGEMENT**

# SMARTCONNECT SOLUTION ARCHITECTURE



# DEVICE COMPATIBILITY



APX NEXT

LTE NETWORK



APX 8000 SERIES PORTABLES  
APX 6000 SERIES PORTABLES\*

WIFI NETWORK

WIFI CONNECTION TO  
EXTERNAL MODEM (LTE OR  
SATELLITE)



APX 8500 MOBILE  
APX 6500 MOBILE (BN)

WIFI NETWORK

WIRED CONNECTION TO IN-  
VEHICLE SIERRA WIRELESS  
LTE ROUTER

WIFI CONNECTION TO IN-  
VEHICLE MODEM (LTE OR  
SATELLITE)

P25 TRUNKED SYSTEMS

\*Must be "BN" (WiFi-enabled) versions

# USE CASES



Use WiFi to improve your indoor radio coverage in schools, hospitals, courts, police stations, airports, subways...



Use LTE to extend your officers' connectivity beyond your radio system - nationwide



Tether your mobile radio to a satellite modem, for coverage in extremely inaccessible areas

# FEATURES SUPPORTED

- Agency Talkgroups
- Call Alert
- Dynamic Regrouping (Reprogramming Request)
- Emergency Call and Alarm
- FDMA/TDMA to/from LMR Systems
- Group Call (Clear/Encrypted)
- Group Regrouping
- Multigroup
- Priority Monitor Scan
- PTT ID
- Radio Authentication
- Radio Check
- Radio Inhibit/Uninhibit
- Radio Interrupt/Console Takeover
- Status Update
- ViQi Virtual Partner





## SYSTEM DEPENDENCIES

### REQUIREMENTS

- ASTRO® 25 trunked system, release 7.17 or later.

### INFRASTRUCTURE IMPACT

- Core expansion including LMR Multicast Proxy Server (LMP), firewall and internet access must be installed.

### SECURITY

- Voice information is sent over the broadband network as P25 packets, complete with end-to-end encryption.
- Control signals between the radio and gateway are encrypted using TLS.

### DELIVERY

- SmartConnect is purchased as an application service and is charged per radio per year.



- Data Configuration
  - Data Wide
  - Data Profiles
    - Profile 1
  - Enhanced Data Port List
  - Phone Wide

▼ Broadband

SmartConnect Gateway Hostname

- Trunking Configuration
  - Trunking Wide
    - Trunking System
      - Trunking Personality
        - LWIN Motorola
        - LWIN Interop
- Call List Configuration

Timer

SmartConnect Operation

▼ Preferred Sites

Ignore Site Resource Preference

LMR Only

LMR Only

LMR Preferred

Broadband Only

- Conventional Configuration
- Trunking Configuration
  - Trunking Wide
  - Trunking System
    - Codeplug Configuration

SMARTConnect RSSI Thresholds

|                              |                                 |   |                                 |                                  |                                  |
|------------------------------|---------------------------------|---|---------------------------------|----------------------------------|----------------------------------|
| Leave LMR RSSI Threshold     | <input type="text" value="52"/> | - | <input type="text" value="34"/> | <input type="button" value="▲"/> | <input type="button" value="▼"/> |
| Return To LMR RSSI Threshold | <input type="text" value="65"/> | - | <input type="text" value="41"/> | <input type="button" value="▲"/> | <input type="button" value="▼"/> |